

FIG. 1A  
PRIOR ART

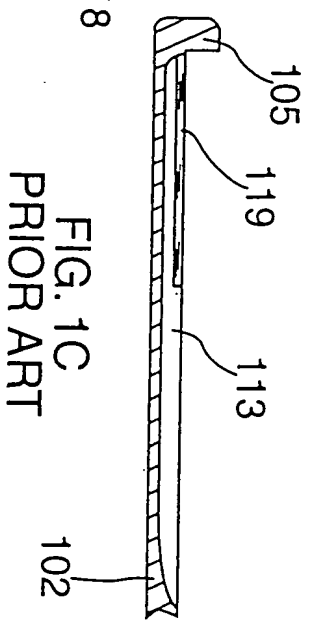


FIG. 1C  
PRIOR ART

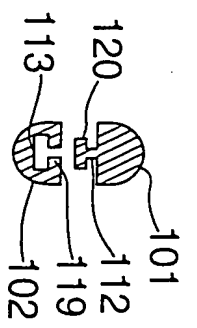


FIG. 1B  
PRIOR ART

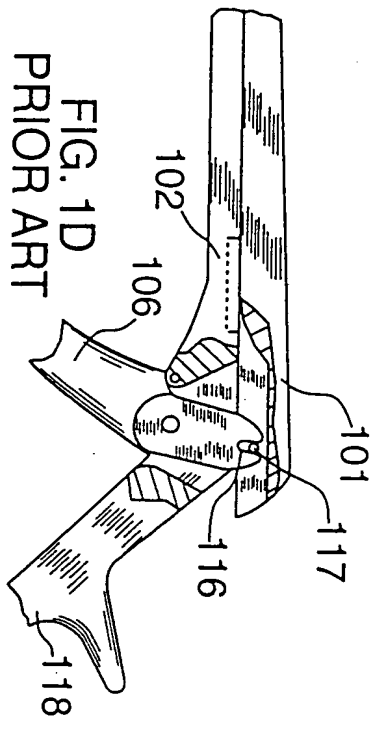


FIG. 1D  
PRIOR ART

APPROVED	O.G. FIG.	
BY	CLASS	SUBCLASS
DRAFTSMAN		

09627018 .072700

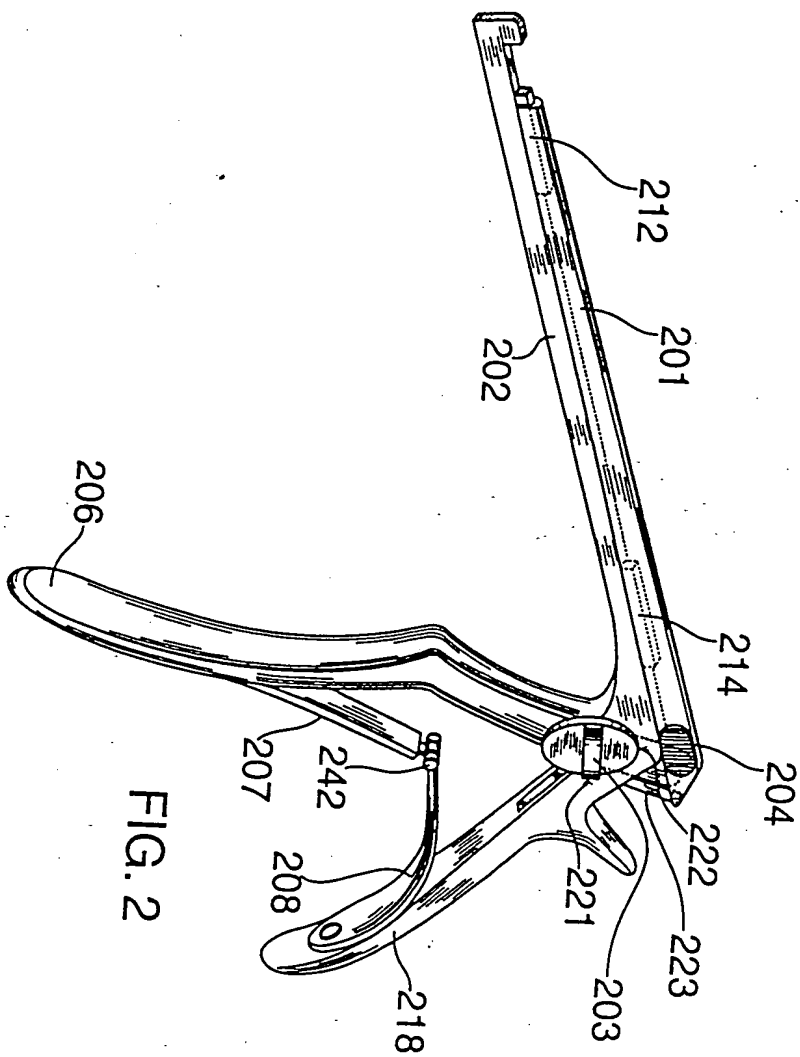


FIG. 2

APPROVED	DATE	FIG.
BY		
CLASS/SUBCLASS		
DRAFTSMAN		

09627018, 09627008

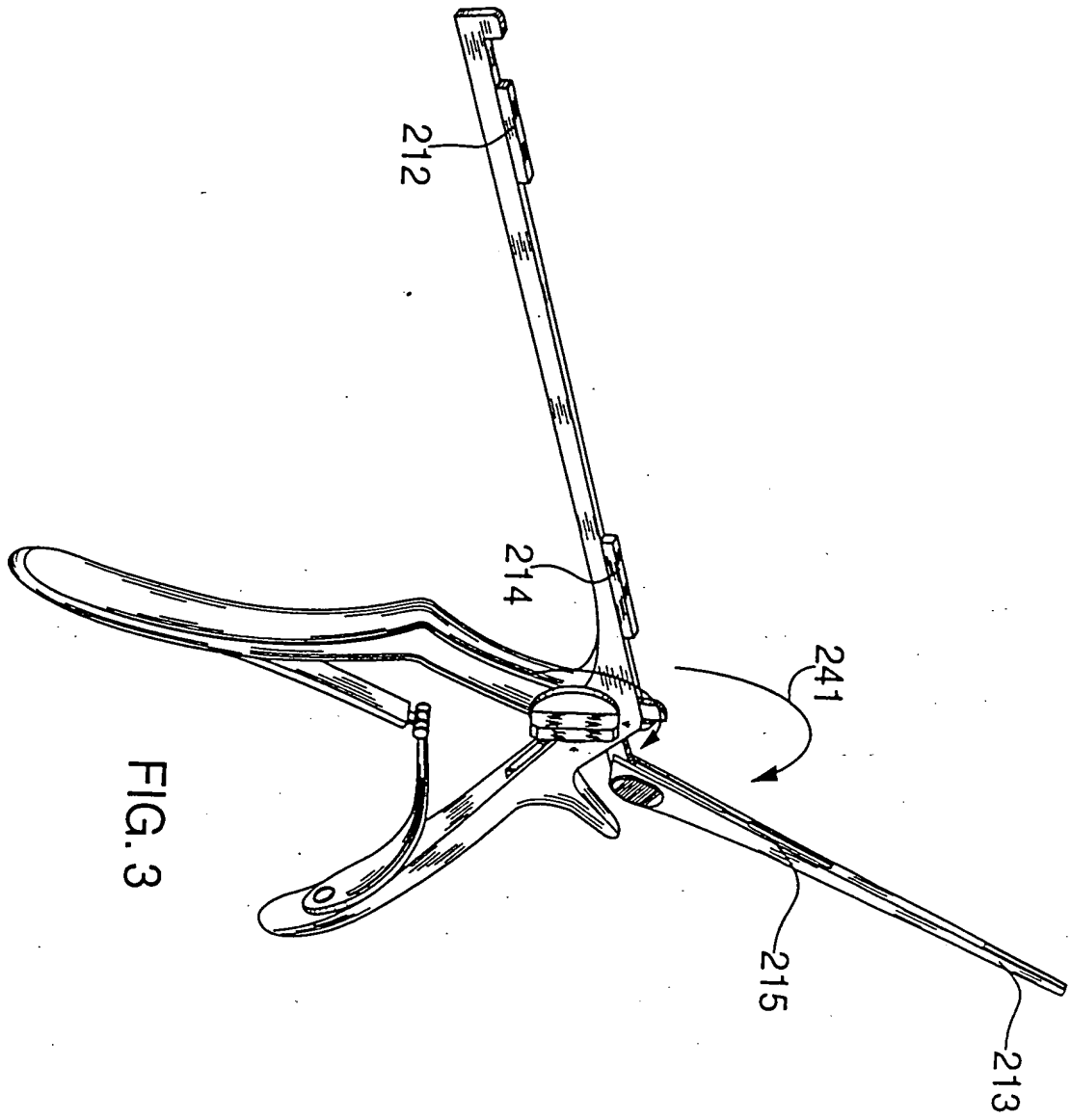


FIG. 3

09627048, 072709

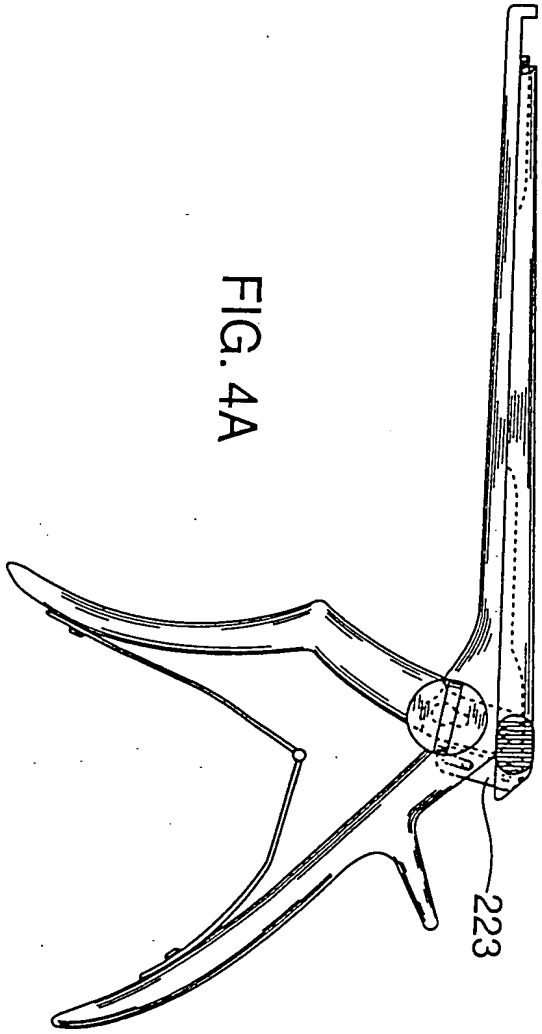


FIG. 4A

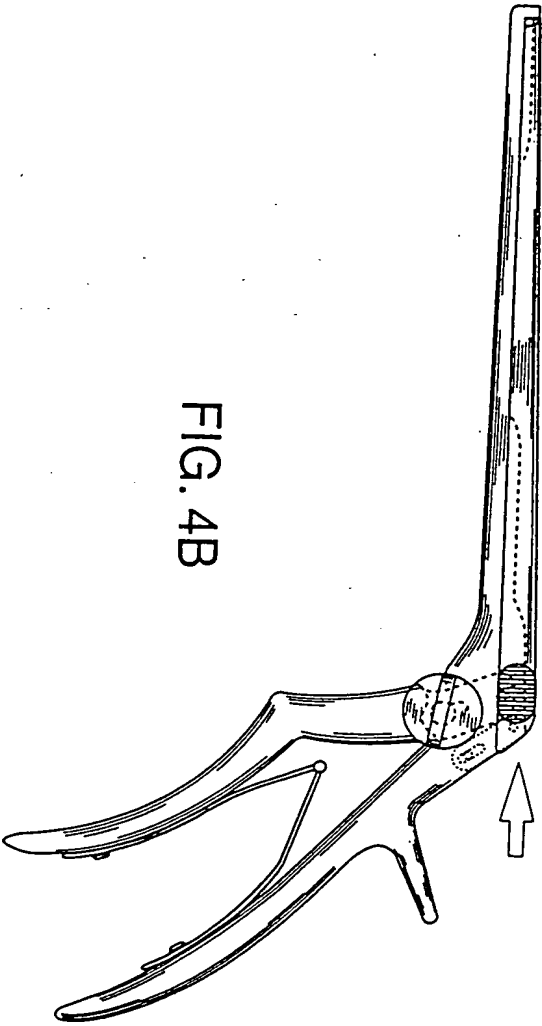
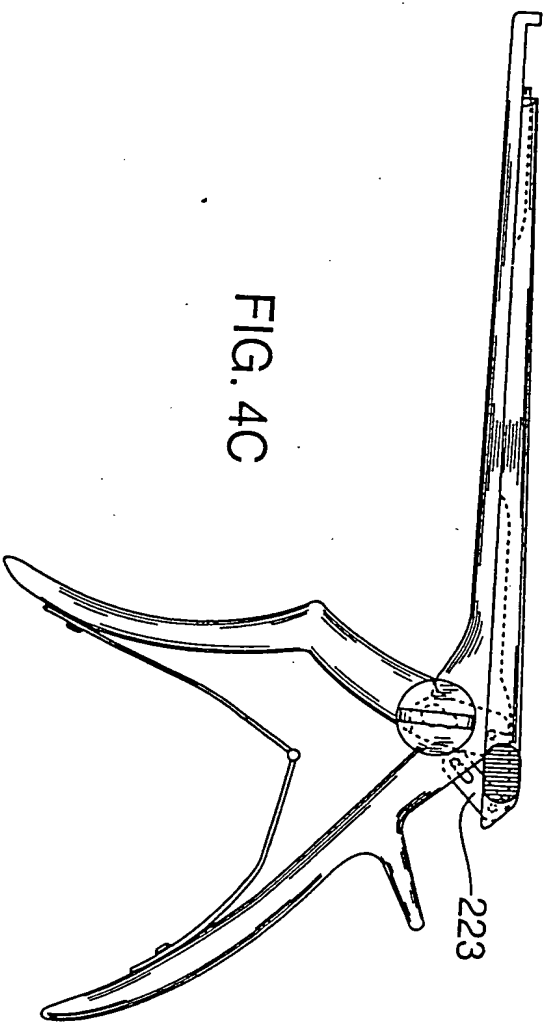


FIG. 4B

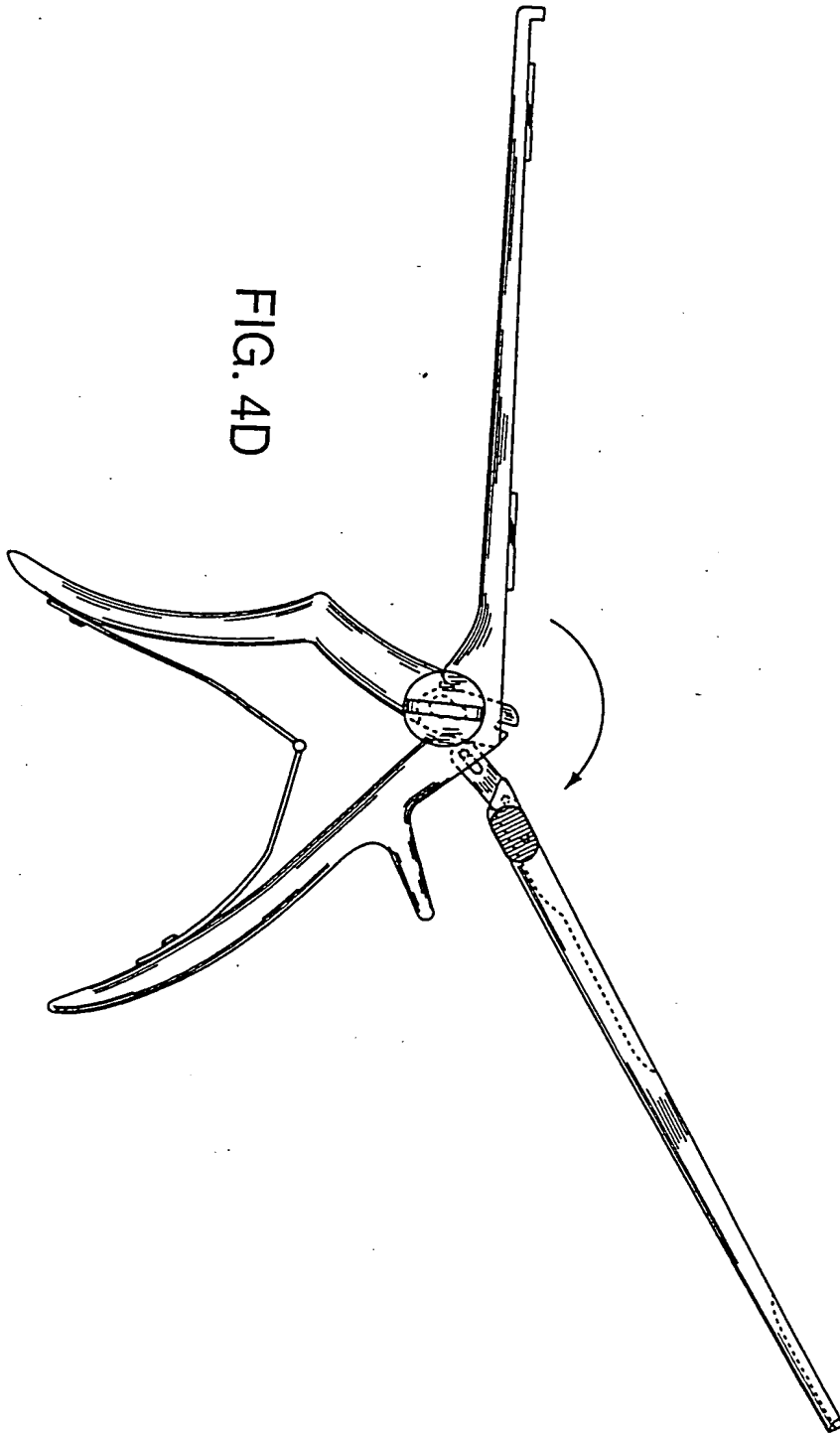
09627018 . 072700

APPROVED BY: [ ]  
DRAFTSMAN: [ ]  
CLASS: [ ]

FIG. 4C



09627018 .072708



09627018 .072700

APPROVED	BY	DRAFTSMAN

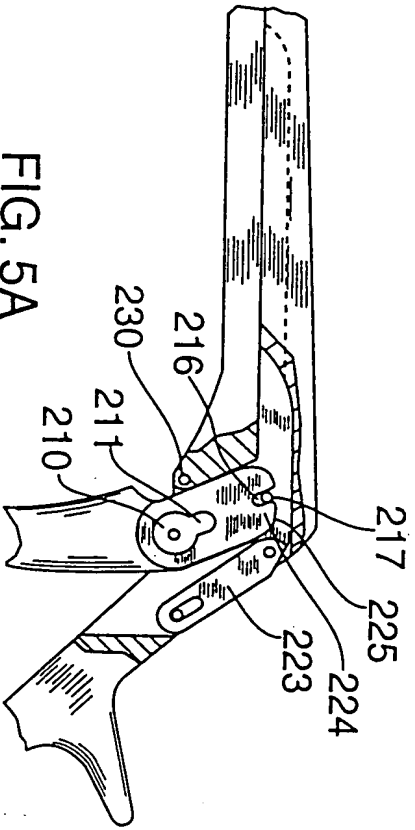


FIG. 5A

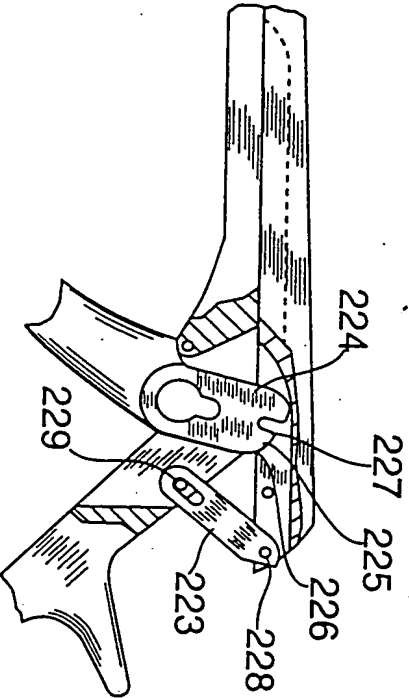


FIG. 5C

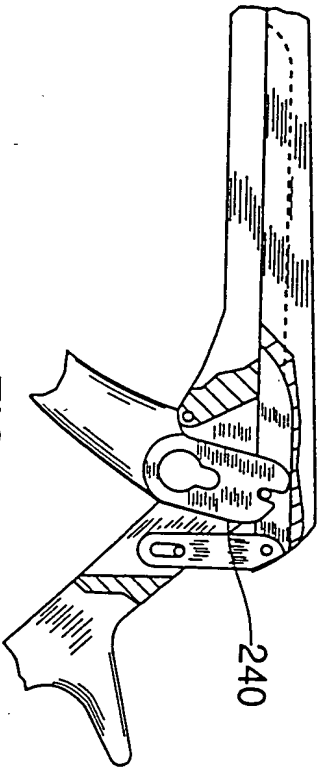
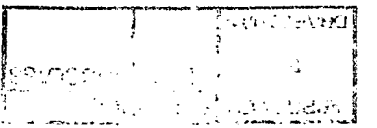


FIG. 5B



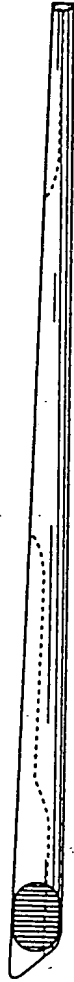


FIG. 6A

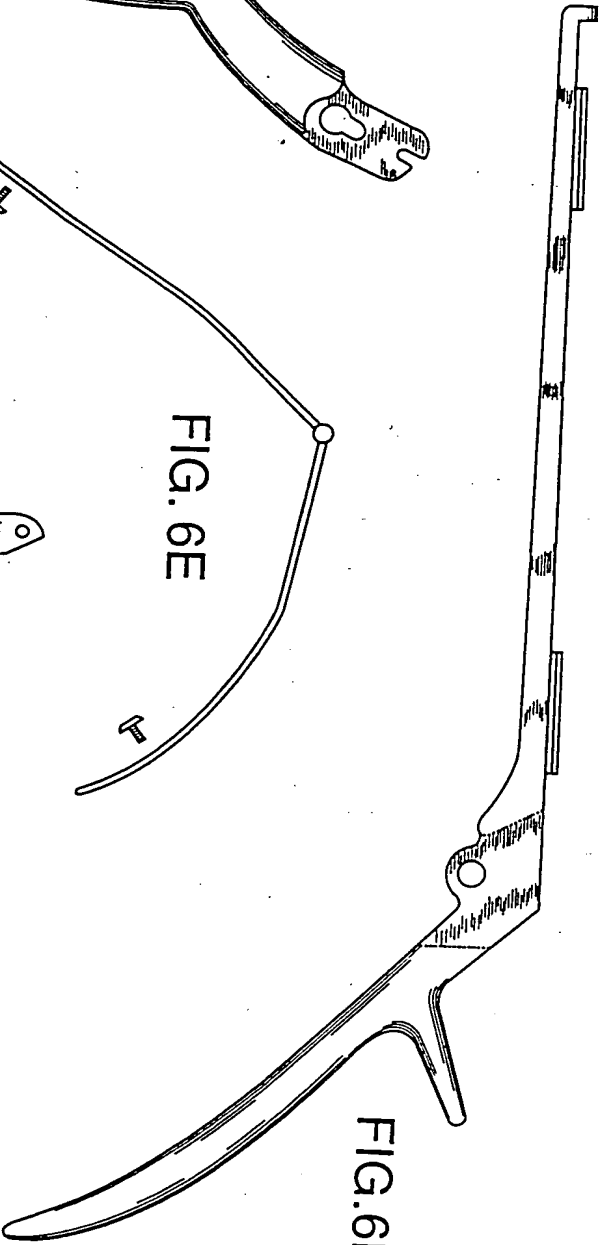


FIG. 6B

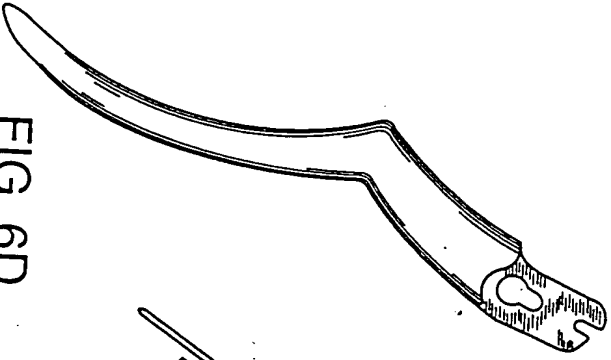


FIG. 6D

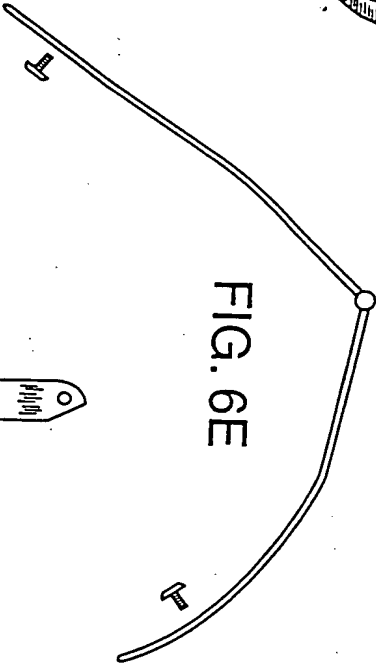


FIG. 6E

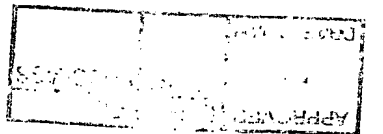


FIG. 6C



FIG. 6F

09527018, 072700





SCANNED

FIG. 9A

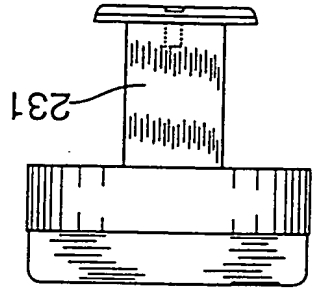


FIG. 9B

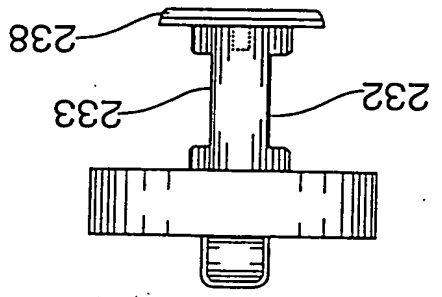


FIG. 8A

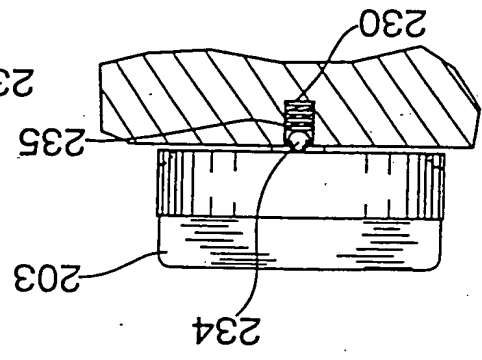


FIG. 8B

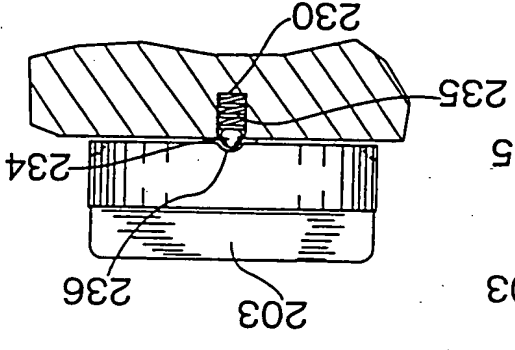


FIG. 7A

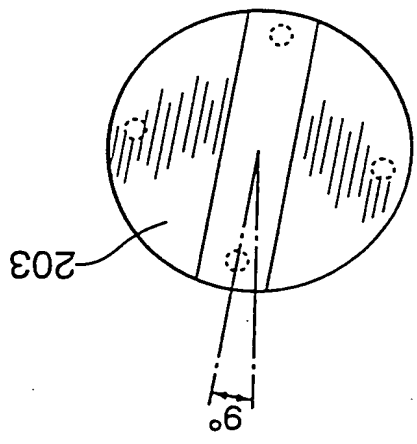
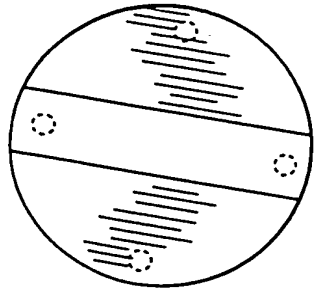


FIG. 7B



APPROVED	DATE	BY	DESIGNER